

175 MX



Wood diameters of up to 16 cm



Feed roller width 240 mm



Basic weight < 750 kg

175 MX with Kubota 16.1 kW (21.9 hp)

Engine and chassis:

Water-cooled 3-cylinder Kubota-diesel engine, 16.1 kW (21.9 hp). Power Control System with minutes counter. Industrial freewheel clutch. Single-axle chassis (80 km/h), fully galvanized. Hitch with overrun brake and ball coupling. Front jockey wheel, rear supporting leg. Road lights as per StVZO (protected against shocks). Pneumatic tyres 165/70 R13. TUEV expertise and ABE.

Body/hopper/discharge chute:

Feed hopper with flap in accordance with CE standards. Turning discharge chute with adjustable deflector flap (as per GS standard). Chipping unit and discharge chute sound-insulated.

Chipping unit:

Chipping unit with safety circuit as per EN 13525. 2-blade chipping disk with infinitely adjustable blades that can be resharpened several times. Closed blade system. Anvil and vertical blade can be used twice each. Rope cutter for chipping disk.

Hydraulic feed:

Separate hydraulic circuit. PowerGrip feed rollers with hydraulic forced feeding and two individual hydraulic motors. Parallel-guided upper feed roller. Hydraulic adjustment of hydraulically adjustable chip sizes.

Options

Drive/engine

- (1) Power Control System incl. minutes counter
- (2) Battery master switch

Chassis/body

- (3) Chassis conversion to 100 km/h
- (4) Spare tyre (separate, without holder)
- (5) Rotating beacon, yellow, LED, with support on feed hopper
- (6) Electr. strobe beacon, 12 V yellow, LED, with support on feed hopper
- (7) Protective grilles for rear lights (enclosed, assembly prepared)
- (8) Anti-theft device for ball coupling

Discharge chute

- (9) Standard: narrow, with external sound insulation

Chipping unit

- (10) WhisperCut® chipping system*-with standard discharge chute only

Miscellaneous

- (11) Special colour (RAL colours, various gloss grades)
- (12) One-day registration (Exports only)
- (13) TUEV expertise / ABE
- (14) Safety circuit (SAFEchip)
- (15) Functional spiral cable with 13 pol plugs on both sides

*Resulting in a higher total weight of approx. 800 kg

Address/Dealer's stamp

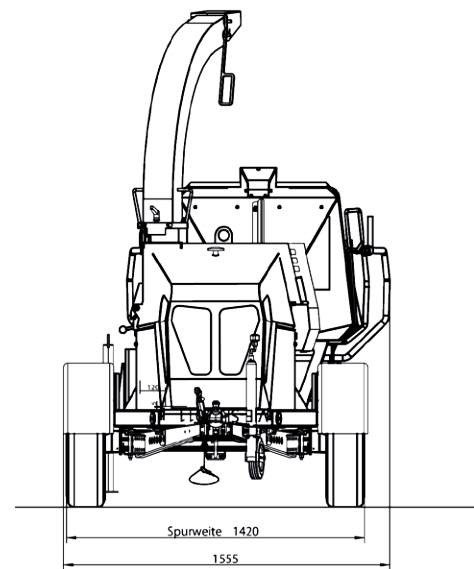
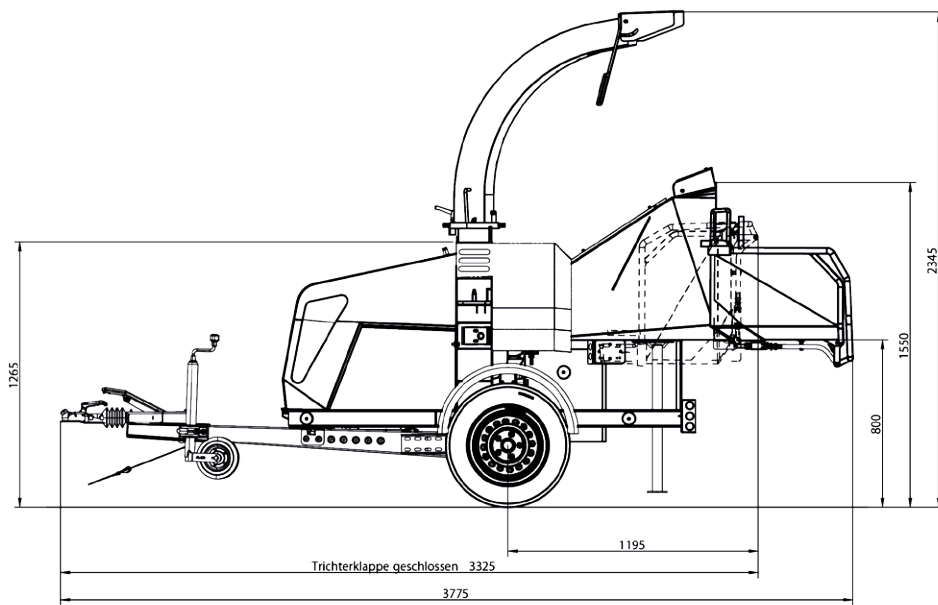


www.schliesing.com

Date

Signature

Every order is placed with the knowledge and acceptance of the General Terms and Conditions of Sale of Schliesing Machinery GmbH (valid version attached or available at www.schliesing.com/Imprint) Subject to the technical modifications, omissions and errors at any time. Revision: 06/2018



All dimensions in mm

The wood chipper is in line with the safety instructions of DIN-EN 13525

- ☑ Folding feed hopper as per CE standards, min. depth of 1,500 mm
- ☑ Hopper dims. (interior): width = 890 mm, height = 720 mm
- ☑ Chipping disk Ø 660 mm, 30 mm thick
- ☑ Closed blade system for a fast, safe and precise blade change
- ☑ Freely adjustable blade settings
- ☑ Hydraulic adjustment of the chip sizes
- ☑ Blades can be resharpened up to approx. 10 times for a long service life
- ☑ Anvil and vertical blade can be used twice each for a long service life
- ☑ Excellent rope cutter at the main bearing of the chipping disk
- ☑ PowerGrip feed roller, 240 mm wide, with hydraulic forced feeding by two individual hydraulic motors. Particularly aggressive and uniform feeding of the material
- ☑ Parallel-guided upper feed roller for a uniform and regular feeding (no jamming of the fed material)
- ☑ Discharge chute with adjustable deflector, turning as per GS standards
- ☑ Relevant machine parts with sound insulation (cover and discharge chute in particular)

Our diesel engines exceed the exhaust emission requirements of EU 97/68 stage III A

- ☑ Water-cooled, 3-cylinder Kubota diesel engine with 16.1 kW (21.9 hp)
- ☑ Power Control System with minutes counter
- ☑ Industrial freewheel clutch, automatically acting between the engine and the chipping disk, easy on the engine, bearings and shaft
- ☑ Fully galvanized, corrosion-resistant single-axle chassis for 80 km/h including TUEV approval and ABE
- ☑ Sturdy front jockey wheel and supporting leg at the rear
- ☑ Hitch with overrun brake and ball coupling
- ☑ Road lights as per StVZO (shock-protected)
- ☑ Pneumatic tyres 165/70 R13
- ☑ Basis weight: < 750 kg

175 MX

Interesting options:

WhisperCut® (optional)

- ☑ V-shaped knives pull in the wood in a more uniform way and with less vibrations
- ☑ In combination with the centering PowerGrip feed rollers, the material hardly hits back and forth any longer in the hopper
- ☑ The pulling cut reduces the noise level by up to 30%!
- ☑ Easy on the blades, the service life of the knives increases by up to 40%!
- ☑ Best protection of the user apart from the Schliesing SAFEchip technology
- ☑ Optionally available for nearly all Schliesing machines

Schliesing SAFEchip safety technology

- ☑ Contactless protection device to stop the feed rollers by means of an electromagnetic field
- ☑ Recommended by BG Gartenbau!
- ☑ The transponder to trigger the safety device weighs a mere 19 grams and should be worn inside the hearing protection
- ☑ Safety tested in everyday work - the safety effectiveness and the working comfort have been confirmed
- ☑ Seamless integration into the work flow

Schliesing Machinery GmbH

St. Huberter Str. 103

47906 Kempen

Tel: +49 (0) 2152 / 9140-0

Fax: +49 (0) 2152 / 9140-70

 **schliesing**[®]
www.schliesing.com

Every order is placed with the knowledge and acceptance of the General Terms and Conditions of Sale of Schliesing Machinery GmbH (valid version attached or available at www.schliesing.com/Imprint)
Subject to the technical modifications, omissions and errors at any time. Revision: 06/2018