

200 MX



Wood diameters of up to 16 cm



Feed roller width 240 mm



Basic weight approx. 1,050 kg



200 MX with Kubota 18.5 kW (25.2 hp)



ball coupling



DIN eye coupling

Engine and chassis:

Water-cooled 3-cylinder Kubota diesel engine with 18.5 kW (25.2 hp). Industrial freewheel clutch. Single-axle chassis (80 km/h), fully galvanized. Hitch with overrun brake and ball coupling or DIN eye coupling. Front jockey wheel, rear supporting leg. Sturdy, sheet steel fenders. Road lights as per StVZO (shockprotected). Pneumatic tyres 185/70 R13. TUEV expertise / ABE.

Body/hopper/discharge chute:

Feed hopper with flap in accordance with CE standards. Turning discharge chute with adjustable deflector flap (as per GS standard) Discharge chute on ball bearing flange. Chipping chamber and discharge chute with sound insulation.

Chipping unit:

Chipping unit with safety circuit as per EN 13525. 2-blade chipping disk with freely adjustable blades that can be resharpened multiple times. Closed blade system. Anvil and vertical blade can be used twice each. Rope cutter for chipping disk.

Hydraulic feed:

Separate hydraulic circuit. PowerGrip feed rollers with hydraulic forced feed via two separate hydraulic motors. Parallel-guided upper feed roller. Hydraulic adjustment for the chip sizes.

Options

Drive/engine

- (1) Power Control System incl. minutes counter
- (2) Battery master switch
- (3) Lockable filler cap

Chassis/body

- (4) Chassis conversion to 100 km/h
- (5) Hydraulic wheel drive
- (6) Hitch, adjustable in height
- (7) Spare tyre with holder (w/o holder, if equipped with SAFEchip)
- (8) Rotating beacon, yellow, LED, with support on feed hopper
- (9) Electr. strobe beacon, 12 V yellow, LED, with support on feed hopper
- (10) Protective grilles for rear lights (enclosed, assembly prepared)
- (11) Anti-theft device for ball or DIN eye coupling
- (12) Additional ball or DIN eye coupling**

Discharge chute

- (13) Standard: standard length, on ball bearing flange, with external sound insulation
- (14) Interior sound insulation (-2 dBA)
- (15) Folding chute - for discharge chutes without extension only
- (16) Individual horizontal extension of the chute (up to 500 mm)***
- (17) Individual vertical extension of the chute (up to 500 mm)***

Chipping unit

- (18) WhisperCut® chipping system, includes pos. (14)

Miscellaneous

- (19) Special colour (RAL colours, various gloss grades)
- (20) One-day registration (Exports only)
- (21) TUEV expertise / ABE
- (22) Safety circuit (SAFEchip)
- (23) Functional spiral cable with 13 pol plugs on both sides

Address/Dealer's stamp

**together with hitch adjustable in height, only.

***No discharge chute extension for WhisperCut® option.



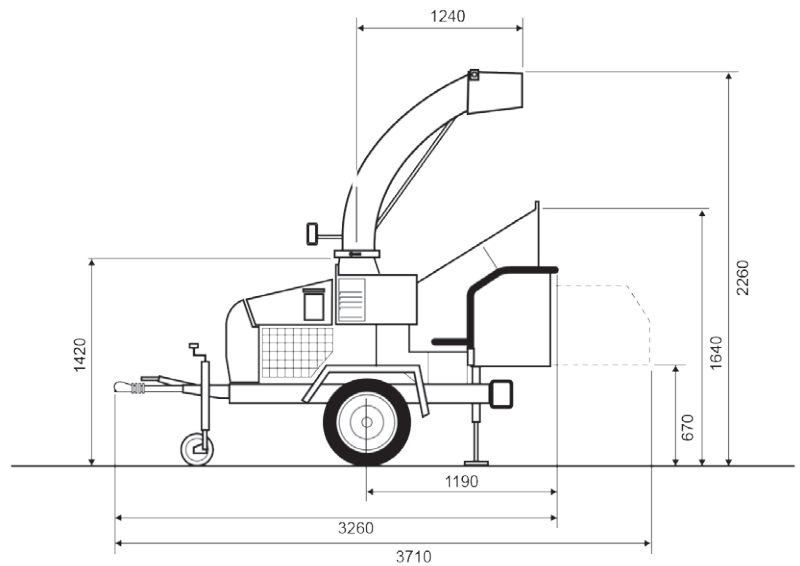
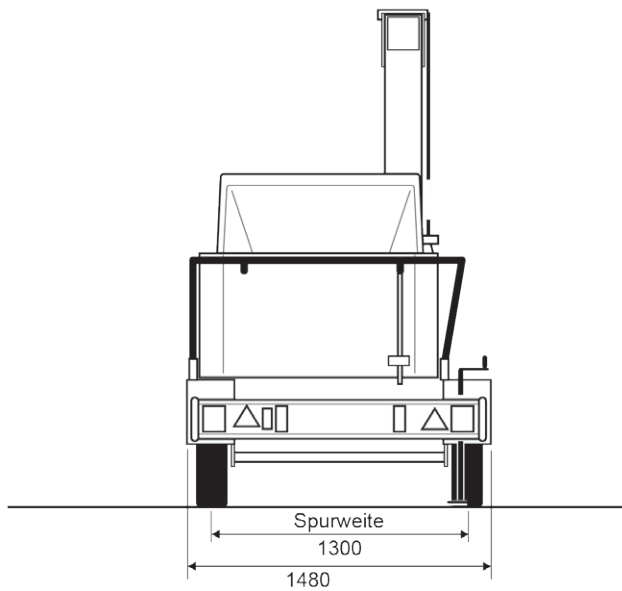
schliesing®

www.schliesing.com

Date

Signature

Every order is placed with the knowledge and acceptance of the General Terms and Conditions of Sale of Schliesing Machinery GmbH (valid version attached or available at www.schliesing.com/Imprint) Subject to the technical modifications, omissions and errors at any time. Revision: 06/2018



All dimensions in mm

The wood chipper is in line with the safety instructions of DIN-EN 13525

- ☑ Folding feed hopper as per CE standards, min. depth of 1,500 mm
- ☑ Hopper dims. (interior): width = 970 mm, height = 830 mm
- ☑ Chipping disk Ø 655 mm, 30 mm thick
- ☑ Closed blade system for a fast, safe and precise blade change
- ☑ Freely adjustable blade settings
- ☑ Hydraulic adjustment of the chip sizes
- ☑ Blades can be resharpened up to approx. 10 times for a long service life
- ☑ Anvil and vertical blade can be used twice each for a long service life
- ☑ Excellent rope cutter at the main bearing of the chipping disk
- ☑ PowerGrip feed roller, 240 mm wide, with hydraulic forced feeding by two individual hydraulic motors. Particularly aggressive and uniform feeding of the material
- ☑ Parallel-guided upper feed roller for a uniform and regular feeding (no jamming of the fed material)
- ☑ Discharge chute with adjustable deflector, turning as per GS standards
- ☑ Discharge chute on ball bearing flange
- ☑ Relevant machine parts with sound insulation (cover and discharge chute in particular)

Our diesel engines exceed the exhaust emission requirements of EU 97/68 stage III A

- ☑ Water-cooled, 3-cylinder Kubota diesel engine with 18.5 kW (25.2 hp)
- ☑ Industrial freewheel clutch, automatically acting between the engine and the chipping disk, easy on the engine, bearings and shaft
- ☑ Fully galvanized, corrosion-resistant singleaxle chassis for 80 km/h including TUEVapproval and ABE
- ☑ Solid sheet steel fenders
- ☑ Sturdy front jockey wheel and supporting leg at the rear
- ☑ Hitch with overrun brake and ball or DIN eye coupling
- ☑ Road lights as per StVZO (shock-protected)
- ☑ Pneumatic tyres 185/70 R13
- ☑ Basis weight: approx. 1,050 kg
- ☑ Optional: Power Control System with minutes counter

200 MX

Interesting options:

Schliesing SAFEchip safety circuit

- ☑ Contactless protection device to stop the feed rollers by means of an electromagnetic field
- ☑ Recommended by BG Gartenbau!
- ☑ The transponder to trigger the safety device weighs a mere 19 grams and should be worn inside the hearing protection
- ☑ Safety tested in everyday work - the safety effectiveness and the working comfort have been confirmed
- ☑ Seamless integration into the work flow

WhisperCut® (optional)

- ☑ V-shaped knives pull in the wood in a more uniform way and with less vibrations
- ☑ In combination with the centering PowerGrip feed rollers, the material hardly hits back and forth any longer in the hopper
- ☑ The pulling cut reduces the noise level by up to 30%!
- ☑ Easy on the blades, the service life of the knives increases by up to 40%!
- ☑ Best protection of the user apart from the Schliesing SAFEchip technology
- ☑ Optionally available for nearly all Schliesing machines

Schliesing Machinery GmbH

St. Huberter Str. 103

47906 Kempen

Tel: +49 (0) 2152 / 9140-0

Fax: +49 (0) 2152 / 9140-70

 **schliesing**[®]
www.schliesing.com

Every order is placed with the knowledge and acceptance of the General Terms and Conditions of Sale of Schliesing Machinery GmbH (valid version attached or available at www.schliesing.com/Imprint)
Subject to the technical modifications, omissions and errors at any time. Revision: 06/2018