



Wood diameters of up to 19 cm



Feed roller width 240 mm



Basic weight approx. 890 kg

235 ZX

Options

Drive/engine

(1) Power Control System

(2) Minutes counter

Chassis/body

(3) Road lights as per StVZO

(4) Rotating beacon, yellow, LED, with support on feed hopper

(5) Electr. strobe beacon, 12 V yellow, LED, with support on feed hopper

(6) Protective grilles for rear lights (enclosed, assembly prepared)

Discharge chute

(7) Standard: standard length, on ball bearing flange, with external sound insulation

(8) Interior sound insulation (-2 dBA)

(9) Folding discharge chute – for short discharge chutes only

(10) Individual horizontal extension of the chute (up to 500 mm)**

(11) Individual vertical extension of the chute (up to 500 mm)**

Chipping unit

(12) WhisperCut® chipping system, includes pos. (8)

Miscellaneous

(13) Special colour (RAL colours, various gloss grades)

(14) Safety circuit (SAFEchip)

**No discharge chute extension for WhisperCut® option.

Drive and attachment:

3-point rear mount (540 rpm). Recommended drive power: 29-51.5 kW (40-70 hp). PTO shaft with freewheel clutch.

Body/hopper/discharge chute:

Feed hopper as per CE standards with fully galvanized feed hopper flap. Turning discharge chute with adjustable deflector (as per GS standards). Sound insulation for chipping chamber and discharge chute. Fully galvanized ponton.

Chipping unit:

Chipping unit with safety circuit as per EN 13525. 2-blade chipping disk with freely adjustable blades that can be resharpened several times. Closed blade system. Anvil and vertical blade can be used twice each. Rope cutter at the chipping disk.

Hydraulic feed:

Separate hydraulic circuit. PowerGrip feed rollers with hydraulic forced feeding and two individual hydraulic motors. Parallel-guided upper feed roller. Hydraulic adjustment of the chip sizes. Level indicator for hydraulic oil tank.

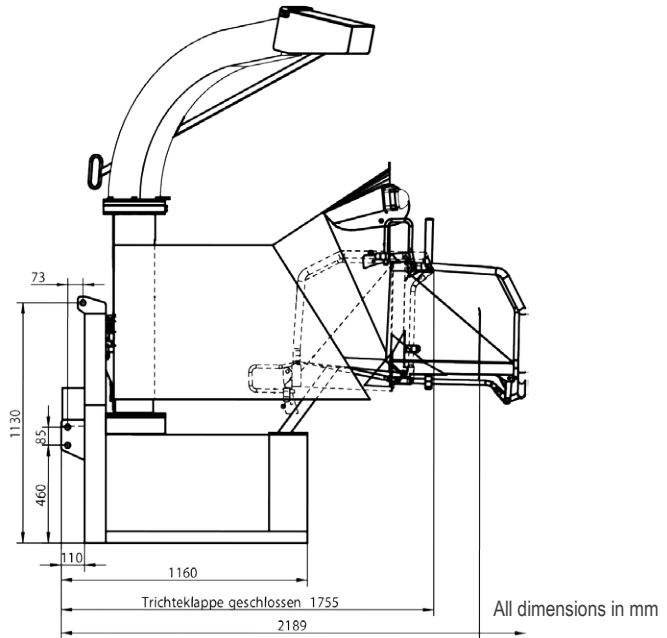
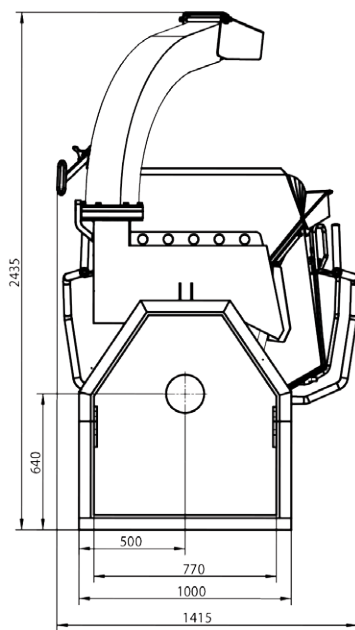
Address/Dealer's stamp

 **schliesing**[®]
www.schliesing.com

Date

Signature

Every order is placed with the knowledge and acceptance of the General Terms and Conditions of Sale of Schliesing Machinery GmbH (valid version attached or available at www.schliesing.com/Imprint) Subject to the technical modifications, omissions and errors at any time. Revision: 06/2018



All dimensions in mm

The wood chipper is in line with the safety instructions of DIN-EN 13525

- ☑ Folding feed hopper as per CE standards, min. depth of 1,500 mm
- ☑ Hopper dims. (interior): width = 1,040 mm, height = 960 mm
- ☑ Fully galvanized, corrosion-resistant hopper flap
- ☑ Chipping disk Ø 655 mm, 35 mm thick
- ☑ Closed blade system for a fast, safe and precise blade change
- ☑ Freely adjustable blade settings
- ☑ Hydraulic adjustment of the chip sizes
- ☑ Blades can be resharpened up to approx. 10 times for a long service life
- ☑ Anvil and vertical blade can be used twice each for a long service life
- ☑ Excellent rope cutter at the main bearing of the chipping disk
- ☑ PowerGrip feed roller, 240 mm wide, with hydraulic forced feeding by two individual hydraulic motors. Particularly aggressive and uniform feeding of the material
- ☑ Level indicator for hydraulic oil tank
- ☑ Parallel-guided upper feed roller for a uniform and regular feeding (no jamming of the fed material)
- ☑ Discharge chute with adjustable deflector, turning as per GS standards
- ☑ Discharge chute on ball bearing flange
- ☑ Relevant machine parts with sound insulation (cover and discharge chute in particular)

- ☑ PTO-driven wood chipper
- ☑ 3-point rear mount (540 rpm)
- ☑ Recommended drive power 29-51.5 kW (40-70 hp)
- ☑ PTO shaft with freewheel clutch
- ☑ Fully galvanized, corrosion-resistant ponton
- ☑ Basis weight: approx. 890 kg
- ☑ Optional: Power Control System / minutes counter

235 ZX

Interesting options:

Schliesing SAFEchip safety technology

- ☑ Contactless protection device to stop the feed rollers by means of an electromagnetic field
- ☑ Recommended by BG Gartenbau!
- ☑ The transponder to trigger the safety device weighs a mere 19 grams and should be worn inside the hearing protection
- ☑ Safety tested in everyday work - the safety effectiveness and the working comfort have been confirmed
- ☑ Seamless integration into the work flow

WhisperCut® (optional)

- ☑ V-shaped knives pull in the wood in a more uniform way and with less vibrations
- ☑ In combination with the centering PowerGrip feed rollers, the material hardly hits back and forth any longer in the hopper
- ☑ The pulling cut reduces the noise level by up to 30%!
- ☑ Easy on the blades, the service life of the knives increases by up to 40%!
- ☑ Best protection of the user apart from the Schliesing SAFEchip technology
- ☑ Optionally available for nearly all Schliesing machines

Schliesing Machinery GmbH

St. Huberter Str. 103

47906 Kempen

Tel: +49 (0) 2152 / 9140-0

Fax: +49 (0) 2152 / 9140-70

 **schliesing**[®]
www.schliesing.com

Every order is placed with the knowledge and acceptance of the General Terms and Conditions of Sale of Schliesing Machinery GmbH (valid version attached or available at www.schliesing.com/Imprint)
Subject to the technical modifications, omissions and errors at any time. Revision: 06/2018