



495 EX / 495 TX



- Wood diameters of up to 24 cm
- Feed roller width 300 mm
- Basic weight approx. 1,950 kg (EX) and approx 2,000 kg (TX)
- 495 EX** with Hatz 55 kW (74.8 hp)
- 495 TX** with Hatz 55 kW (74.8 hp)
- ball coupling DIN eye coupling

Engine and chassis:

Water-cooled 4-cylinder Hatz turbo diesel engine with 55 kW (74.8 hp) and Common-Rail technology. Industrial freewheel clutch. Single-axle chassis (80 km/h) EX or tandem-axle chassis TX, fully galvanized. Hitch, adjustable in height with overrun brake and ball or DIN eye coupling. Front jockey wheel and rear supporting leg (EX). Sturdy sheet steel fenders. Fuel level indicator. Road lights as per StVZO (shock-protected). Heavy-duty pneumatic tyres 205/65 R17.5 (EX) or 185/70 R14 (TX). TUEV expertise / ABE.

Body/hopper/discharge chute:

Feed hopper in accordance with CE standards with fully galvanized flap. Turning discharge chute with adjustable deflector (as per GS standards). Discharge chute on ball bearing flange. Chipping chamber and discharge chute with sound insulation.

Chipping unit:

Chipping unit on turntable, turning 270°, with safety circuit as per EN 13525. 2-blade chipping disk with freely adjustable blades that can be resharpened multiple times. Closed blade system. Anvil can be used 4 times and vertical blade twice. Rope cutter for chipping disk.

Hydraulic feed:

Separate hydraulic circuit. PowerGrip feed rollers with hydraulic forced feed via two separate hydraulic motors. Parallel-guided upper feed roller. Hydraulic adjustment for the chip sizes. Level indicator for hydraulic oil tank.

Options

Drive/engine

- (1) Power Control System
- (2) Battery master switch
- (3) Lockable filler cap (EX) / (TX**)
- (4) Centralized lubrication system for chipping unit

Chassis/body

- (5) Hydraulic wheel drive
- (6) Spare tyre EX (without holder)
- (7) Spare tyre TX with holder
- (8) Rotating beacon, yellow, LED, with support on feed hopper
- (9) Electr. strobe beacon, 12 V yellow, LED, with support on feed hopper
- (10) Protective grilles for rear lights (enclosed, assembly prepared)
- (11) Anti-theft device for ball or DIN eye coupling
- (12) Additional ball or DIN eye coupling

Discharge chute

- (13) Standard: standard length, on ball bearing flange, with external sound insulation
- (14) Standard long, on ball bearing flange, with external sound insulation
- (15) Interior sound insulation (-2 dBA)
- (16) Folding discharge chute
- (17) Individual horizontal extension - for pos. (13) only (up to 500 mm)
- (18) Individual vertical extension - for pos. (13) only (up to 500 mm)

Chipping unit

- (19) WhisperCut® chipping system, includes pos. (15)

Miscellaneous

- (20) Special colour (RAL colours, various gloss grades)
- (21) One-day registration (Exports only)
- (22) TUEV expertise / ABE
- (23) Safety circuit (SAFEchip)
- (24) Diesel particle filter (DPF)
- (25) Functional spiral cable with 13 pol plugs on both sides

**as per 03/2017: TX-models either with lockable filler cap (53.-) or serial fuel indicator.

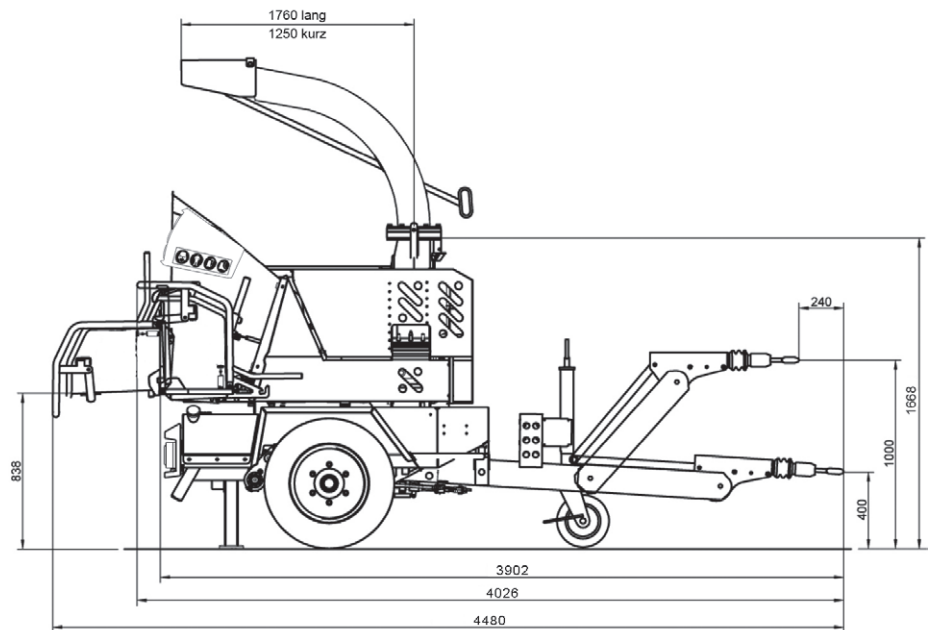
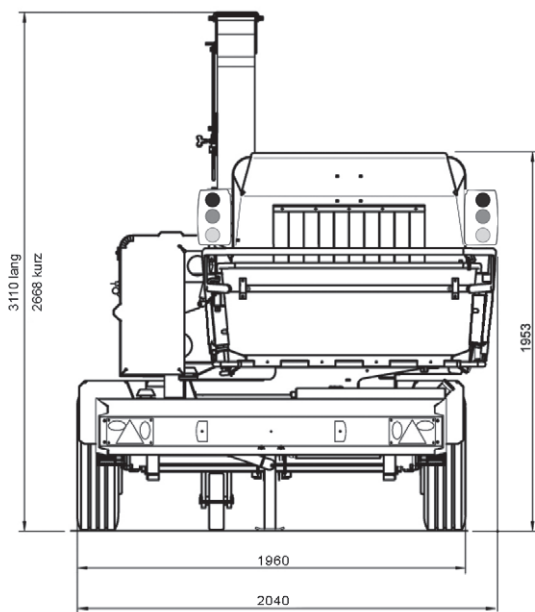
Address/Dealer's stamp

 **schliesing**[®]
www.schliesing.com

Date

Signature

Every order is placed with the knowledge and acceptance of the General Terms and Conditions of Sale of Schliesing Machinery GmbH (valid version attached or available at www.schliesing.com/Imprint) Subject to the technical modifications, omissions and errors at any time. Revision: 06/2018



The wood chipper is in line with the safety instructions of DIN-EN 13525

- ☑ Chipping unit on turntable (270°)
- ☑ Folding feed hopper as per CE standards, min. depth of 1,500 mm
- ☑ Fully galvanized feed hopper flap
- ☑ Hopper dims. (interior): width = 1,160 mm, height = 1,040 mm
- ☑ Chipping disk Ø 800 mm, 40 mm thick
- ☑ Closed blade system for a fast, safe and precise blade change
- ☑ Freely adjustable blade settings
- ☑ Hydraulic adjustment of the chip sizes
- ☑ Blades can be resharpened up to approx. 10 times for a long service life
- ☑ Anvil can be used four times / vertical blade can be used twice for a maximum service life
- ☑ Excellent rope cutter at the main bearing of the chipping disk
- ☑ PowerGrip feed roller, 300 mm wide, with hydraulic forced feeding by two individual hydraulic motors. Particularly aggressive and uniform feeding of the material
- ☑ Parallel-guided upper feed roller for a uniform and regular feeding (no jamming of the fed material)
- ☑ Discharge chute with adjustable deflector, turning as per GS standards
- ☑ Discharge chute on ball bearing flange
- ☑ Level indicator for hydraulic oil tank
- ☑ Relevant machine parts with sound insulation (cover and discharge chute in particular)

This engine exceeds the exhaust emission standards of EU 97/68 - stage EURO III B - even without DPF

- ☑ Water-cooled 4-cylinder Hatz turbo diesel engine with Common-Rail technology and 55 kW (74.8 hp)
- ☑ Industrial freewheel clutch, automatically acting between the engine and the chipping disk, easy on the engine, bearings and shaft
- ☑ Fully galvanized, corrosion-resistant single-axle (EX) or tandem-axle (TX) chassis for 80 km/h, incl. TUEV approval and ABE
- ☑ Solid sheet steel fenders
- ☑ Sturdy front jockey wheel and supporting leg at the rear (EX)
- ☑ Hitch, adjustable in height, with overrun brake and ball or DIN eye coupling
- ☑ Road lights as per StVZO (shock-protected)
- ☑ Heavy-duty pneumatic tyres 205/65 R17.5 (EX) or pneumatic tyres 185/70 R14 (TX)
- ☑ Basis weight:
EX (single-axle chassis) approx. 1,950 kg,
TX (tandem-axle chassis) approx. 2,000 kg
- ☑ Optional: Power Control System
- ☑ Optional: diesel particle filter (DPF)

495 EX / TX

Interesting options:

Schliesing SAFEchip safety technology

- ☑ Contactless protection device to stop the feed rollers by means of an electromagnetic field
- ☑ Recommended by BG Gartenbau!
- ☑ The transponder to trigger the safety device weighs a mere 19 grams and should be worn inside the hearing protection
- ☑ Safety tested in everyday work - the safety effectiveness and the working comfort have been confirmed
- ☑ Seamless integration into the work flow

WhisperCut® (optional)

- ☑ V-shaped knives pull in the wood in a more uniform way and with less vibrations
- ☑ In combination with the centering PowerGrip feed rollers, the material hardly hits back and forth any longer in the hopper
- ☑ The pulling cut reduces the noise level by up to 30%!
- ☑ Easy on the blades, the service life of the knives increases by up to 40%!
- ☑ Best protection of the user apart from the Schliesing SAFEchip technology
- ☑ Optionally available for nearly all Schliesing machines



Schliesing Machinery GmbH

St. Huberter Str. 103

47906 Kempen

Tel: +49 (0) 2152 / 9140-0

Fax: +49 (0) 2152 / 9140-70

 **schliesing**[®]
www.schliesing.com

Every order is placed with the knowledge and acceptance of the General Terms and Conditions of Sale of Schliesing Machinery GmbH (valid version attached or available at www.schliesing.com/Imprint)
Subject to the technical modifications, omissions and errors at any time. Revision: 06/2018