






-  Wood diameters of up to 30 cm
-  Feed roller width 340 mm
-  Basic weight approx. 1,950 kg

550 ZX

Drive and attachment:

3-point rear mount (1,000 rpm). Recommended drive power: 73-147 kW (100-200 hp). Reinforced PTO shaft with freewheel clutch. Friction clutch at the PTO shaft.

Body/hopper/discharge chute:

Feed hopper with flap in accordance with CE standards. Turning discharge chute with adjustable deflector (as per GS standards). Sound insulation for chipping chamber and discharge chute.

Chipping unit:

Chipping unit with safety circuit as per EN 13525. 3-blade chipping disk with freely adjustable blades that can be resharpened several times. Closed blade system. Anvil and vertical blade can be used four times each. Rope cutter at the chipping disk.

Hydraulic feed:

Separate hydraulic circuit. PowerGrip feed rollers with hydraulic forced feeding and two individual hydraulic motors. Parallel-guided upper feed roller. Upper feed roller with auxiliary transmission. Hydraulic adjustment of the chip sizes. Level indicator for hydraulic oil tank.

Options

Drive/engine

- (1) Power Control System
- (2) Minutes counter
- (3) Centralized lubrication system for chipping unit

Chassis/body

- (4) Road lights as per StVZO
- (5) Rotating beacon, yellow, LED, with support on feed hopper
- (6) Electr. strobe beacon, 12 V yellow, LED, with support on feed hopper
- (7) Protective grilles for rear lights (enclosed, assembly prepared)

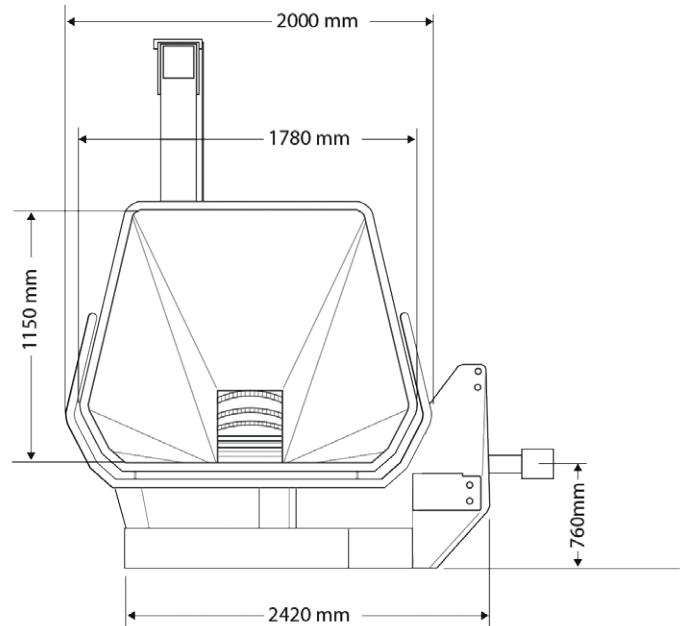
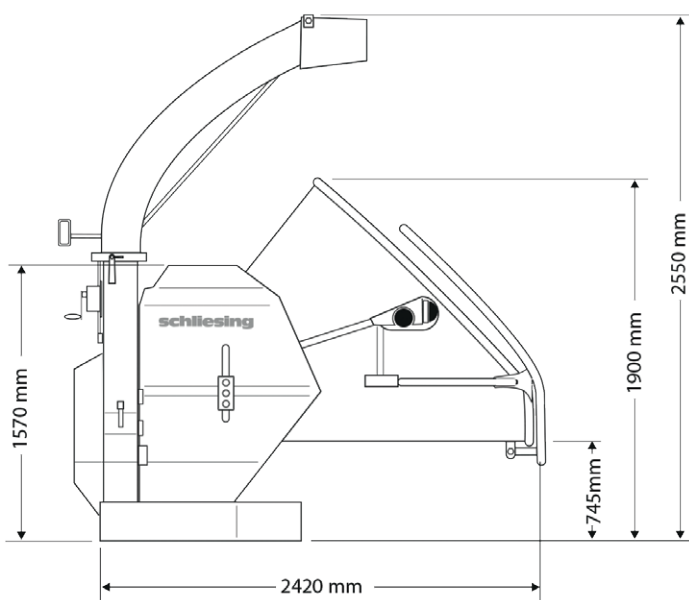
Discharge chute

- (8) Standard: standard length, on ball bearing flange, with external sound insulation
- (9) Standard long, on ball bearing flange, with external sound insulation
- (10) Interior sound insulation (-2 dBA)
- (11) Folding discharge chute
- (12) Individual horizontal extension - for pos. (8) only (up to 500 mm)
- (13) Individual vertical extension - for pos. (8) only (up to 500 mm)

Miscellaneous

- (14) Radio remote control for the chipper operation
- (15) Special colour (RAL colours, various gloss grades)

Address/Dealer's stamp



All dimensions in mm

The wood chipper is in line with the safety instructions of DIN-EN 13525

- ☑ Folding feed hopper as per CE standards, min. depth of 1,500 mm
- ☑ Hopper dims. (interior): width = 1,750 mm, height = 1,145 mm
- ☑ Chipping disk Ø 950 mm, 45 mm thick
- ☑ Closed blade system for a fast, safe and precise blade change
- ☑ Freely adjustable blade settings
- ☑ Hydraulic adjustment of the chip sizes
- ☑ Blades can be resharpened up to approx. 10 times for a long service life
- ☑ Anvil and vertical blade can be used four times each for an extended service life
- ☑ Excellent rope cutter at the main bearing of the chipping disk
- ☑ PowerGrip feed roller, 340 mm wide, with hydraulic forced feeding by two individual hydraulic motors. Particularly aggressive and uniform feeding of the material
- ☑ Level indicator for hydraulic oil tank
- ☑ Parallel-guided upper feed roller for a uniform and regular feeding (no jamming of the fed material)
- ☑ Upper feed roller with auxiliary transmission to increase the feeding force (by up to 400%)
- ☑ Discharge chute with adjustable deflector, turning as per GS standards
- ☑ Discharge chute on ball bearing flange
- ☑ Relevant machine parts with sound insulation (cover and discharge chute in particular)

- ☑ PTO-driven wood chipper
- ☑ 3-point rear mount (1,000 rpm)
- ☑ Recommended drive power 73-147 kW (100-200 hp)
- ☑ Reinforced PTO-shaft with freewheel clutch
- ☑ Slipping clutch at the PTO shaft
- ☑ Massive, sturdy base frame
- ☑ Basis weight: approx. 1,950 kg
- ☑ Optional: Power Control System / minutes counter

550 ZX

Electronic control

- ☑ The forward-backward control of the feed rollers can be effected via separate buttons
- ☑ Fail-safe hydraulic components
- ☑ Operation intuitively comprehensible
- ☑ Safety bar "Emergency Off" clearly separated from the controller
- ☑ Improved protection against maloperation

Schliesing Machinery GmbH

St. Huberter Str. 103

47906 Kempen

Tel: +49 (0) 2152 / 9140-0

Fax: +49 (0) 2152 / 9140-70

 **schliesing**[®]
www.schliesing.com

Every order is placed with the knowledge and acceptance of the General Terms and Conditions of Sale of Schliesing Machinery GmbH (valid version attached or available at www.schliesing.com/Imprint) Subject to the technical modifications, omissions and errors at any time. Revision: 06/2018